

Figure 3 - IMU sub-assembly housing dimensions and reference frame centre P

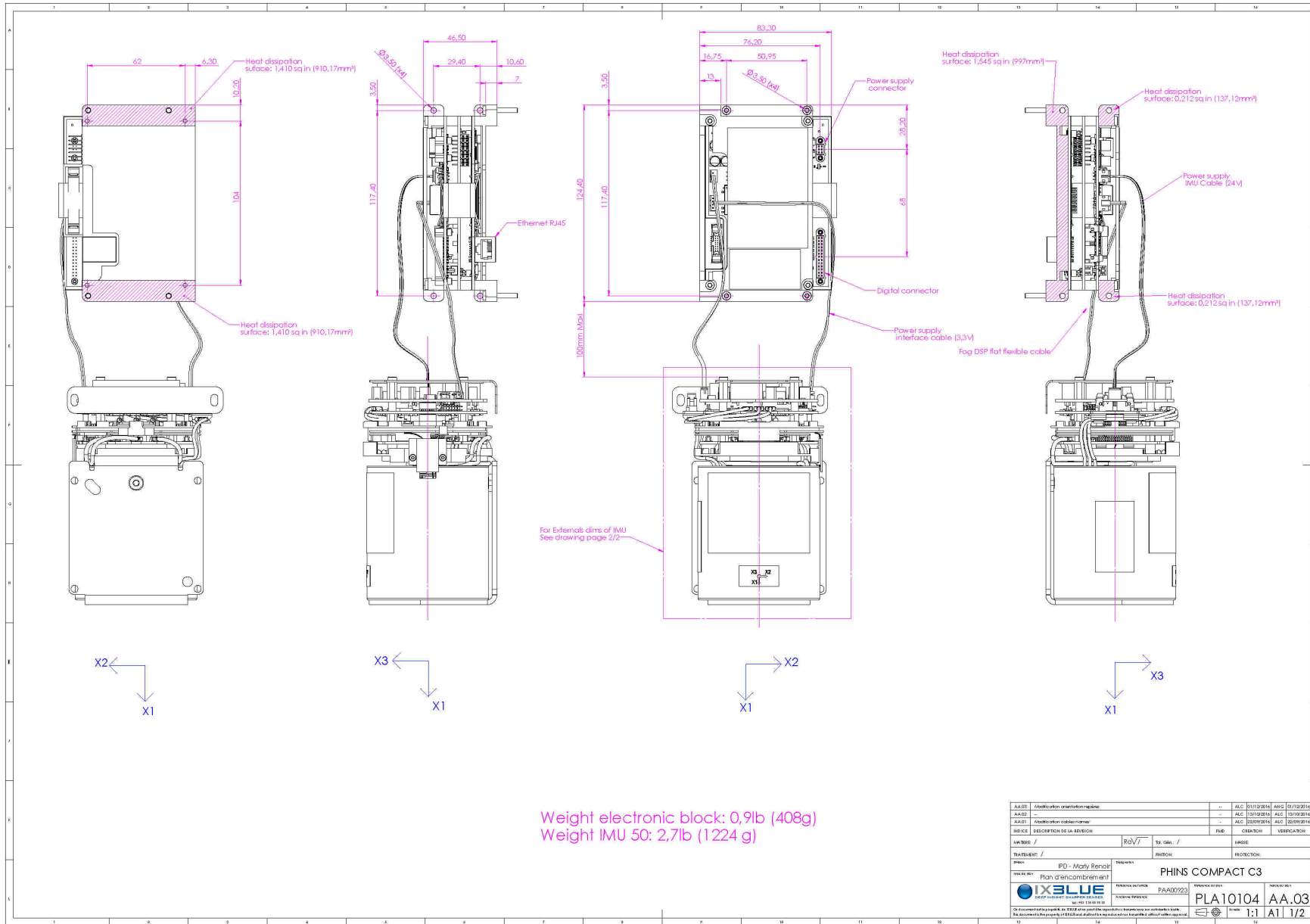


Figure 4 - Phins Compact C3 electronic stack sub-assembly housing dimensions